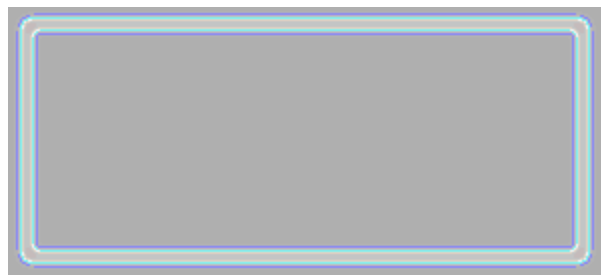




Flexible Integration for Maximum Efficiency



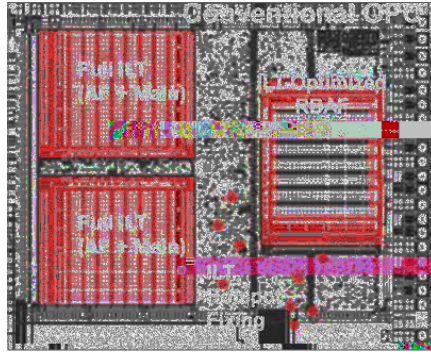


Figure 2: Proteus ILT is only applied where it is needed most

Proteus ILT Applications Resolve Common Mask Synthesis Problems

ILT-Optimized Assist Features:

Full ILT (AF+Main):

ILT Hotspot Fixing:

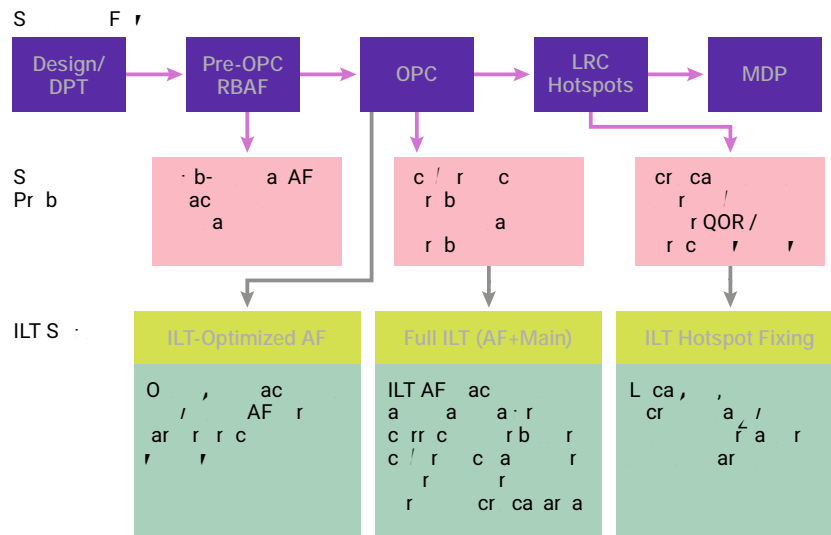


Figure 3: Proteus ILT solutions to common mask synthesis problems

Key Technical Features

